



Tension Fabric System

Limitless sizes - Endless configurations

Tension Fabric System for exhibition, event and retail environments



TFS

Tension Fabric System

A lightweight graphic display system which is almost limitless in size and is the perfect choice for a multitude of venues and applications.

TFS allows simple fitting and removal of tension fabric graphics. Frames are simple to assemble using just one tool.



Put into practice

Be inspired. Our solutions.

This very versatile system can be either single or double sided. Displays can be freestanding, fit into existing system, wall mounted and even ceiling hung and can use a multitude of fabrics.

Perfect for exhibition displays and even exhibition stands, retail displays, window displays, showrooms, reception and foyer areas, roadshow events, museum graphics.

Vinyline
Graphics

Products

We'll let them speak for themselves

Flat freestanding frames

Single or double sided with a choice of bases.

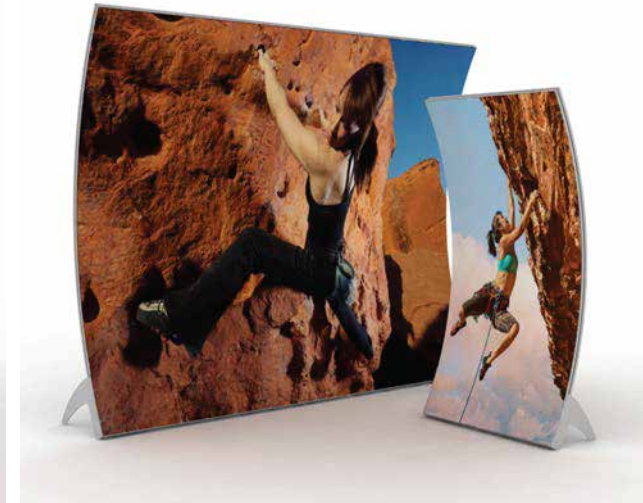
Horizontal freestanding curves

Single or double sided with a choice of bases.

Vertical freestanding curves

Single or double sided with a choice of bases.

TFS



Options

Products

We'll let them speak for themselves

Wall mounted

Single sided with concealed bracket.



Suspended

Single or double sided, wire or tube suspension.



Wall or column

Single or double sided with a choice of bases.



TFS

Options

Products

We'll let them speak for themselves

Archway curves

A unique Double sided display solution.



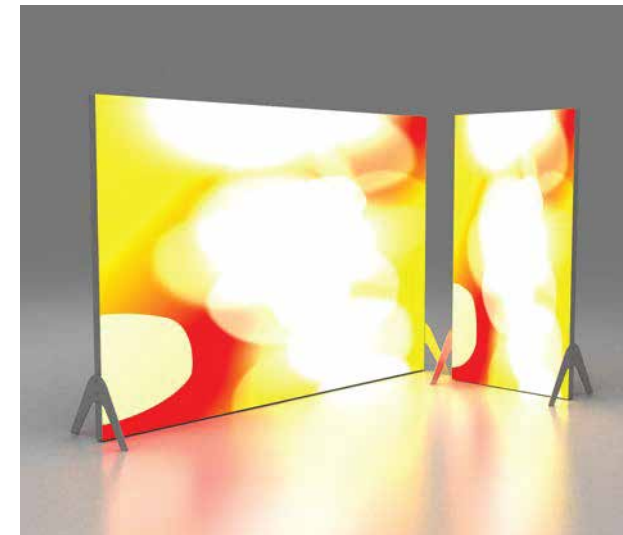
Meeting pods

Double sided, lightweight meeting spaces.



Lightboxes

Single or double sided with a choice of bases.



TFS

Options

Accessories

The little extras, but with big impact

TFS modules can be combined with other kits to form displays of any size. The unique adaptability of the TFS range allows for the construction of a wide range of displays. Any design can be quickly reconfigured to suit alternative uses.

- 01
Poseur table kit with 10mm thick acrylic circular top.
- 02
Acrylic literature holders available with left, right and centre brackets.
- 03
Steel literature holders available with left, right and centre brackets.
- 04
Carry bags available.
- 05
12V GU 5.3 LED swan neck spot light.
- 06
240V 150W swan neck lighting for illuminating graphics.

01



02



03



04



05



06



TFS

Accessories

Accessories

The little extras, but with big impact

TFS accessories allow a myriad of different looks and uses.

01

UA10189

Rectangular foot plate.

02

UA10446

'Batwing' side fix foot plate.

03

UA10469

Side fix foot plate.

04

UA12201

Side fix foot plate.

05

UA12296

Side fix foot plate for vertical curves.

06

UA12952

Rectangular foot plate to suite Ledge 135 profile.

07

UA13060

Offset rectangular foot plate to suite Ledge 135 profile.

08

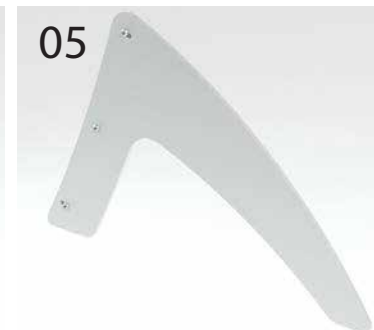
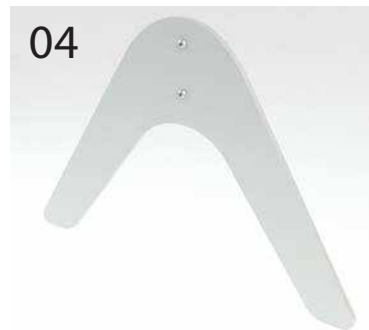
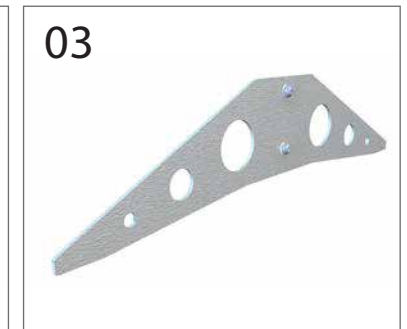
UA10173

Wall mount bracket.

09

UA7585

Eye bolt.



TFS

Accessories

Assembly

Simple and easy, but with big impact

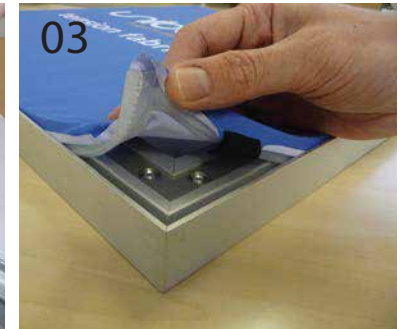
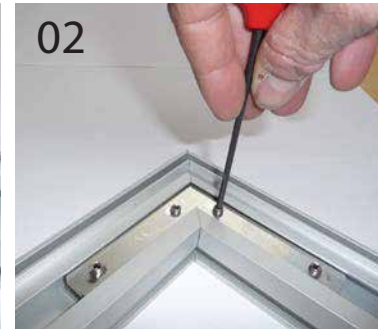
It couldn't be easier to put your TFS display together. TFS consists of frames connected with a bracket in each corner and can be built in 5-10 minutes, including the simple mounting of fabric graphics.

TFS

01
Slip the bracket into the channel provided.....

02
and tighten.

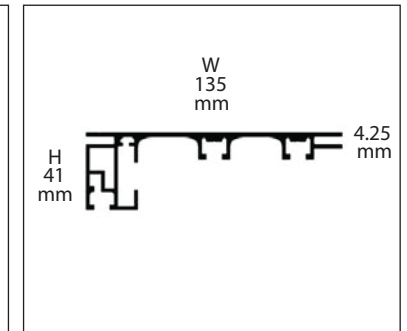
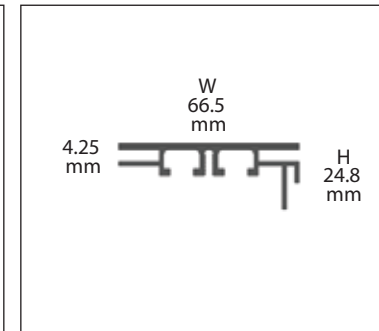
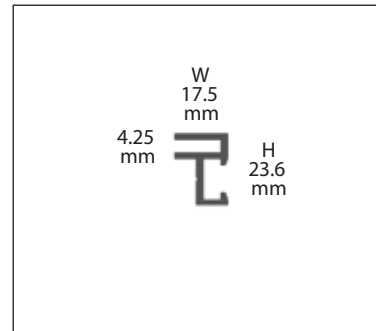
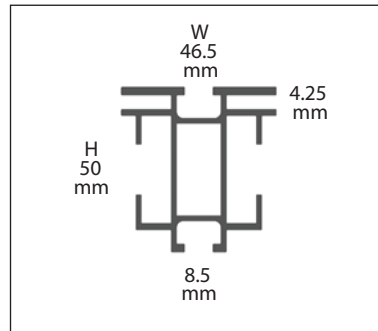
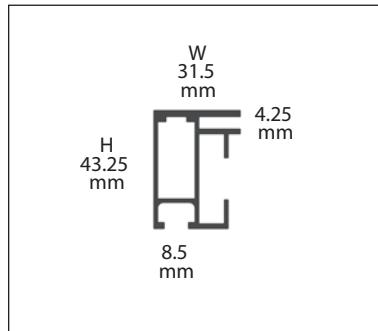
03
Insert the fabric by pushing the silicone strip into the channel of the extrusion. The fabric has a tab to allow for easy extraction.



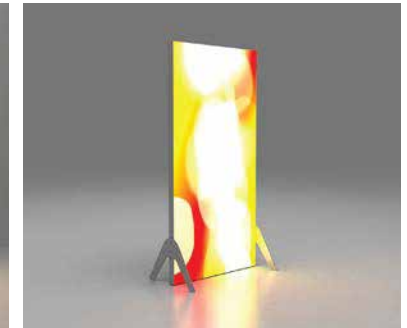
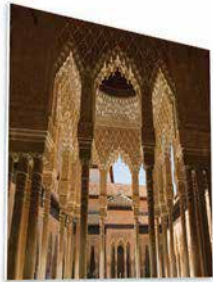
Assembly

Profiles

To cover every eventuality



TFS



Profiles

UA10169

One-sided TFS
The classic single-sided TFS frame primarily used for wall-hung displays. Its size lends itself to larger sized frames.

UA9544

Two-sided TFS
Range of double-sided TFS frames used freestanding or suspended and which can be curved.

UA11437 Micro

One-sided TFS
Range of single-sided slimline TFS frames used for wall-hung displays.

UA10584 Ledge 65

Lightbox TFS
Range of single-sided lightbox TFS frames used for wall-hung displays.

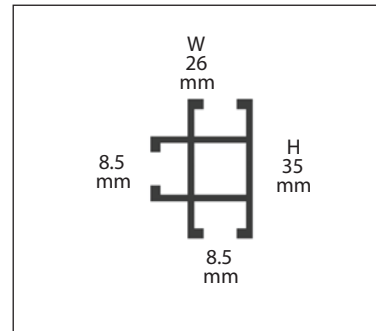
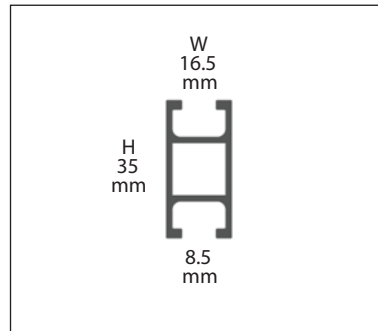
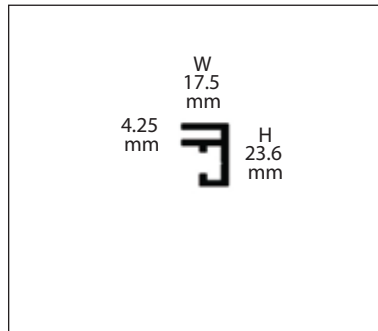
UA11866 Ledge 135

Lightbox TFS
Range of single-sided lightbox TFS frames used freestanding with a range of feet.

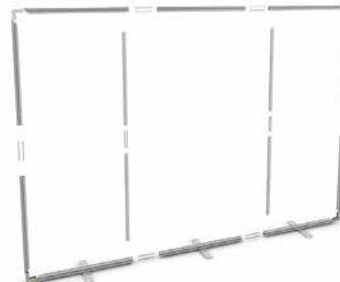
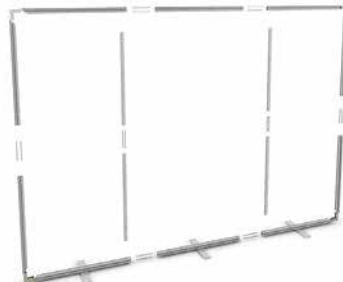
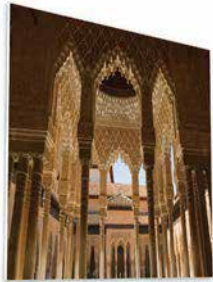
Vinyline
Graphics

Profiles

To cover every eventuality



TFS



Profiles

UA13190 Micro

One-sided TFS
Range of single-sided
slimline TFS frames used
for wall-hung displays.

UA2667

Support beam
For added stability on large
frames.

UA4696

Support beam
For added stability on large
frames.

Vinyline
Graphics



Contact Us

t: 01744 661401 f: 01744 454308 e: sales@vinyline.co.uk
4b Delph Court, Sherdley Business Park, Sullivans Way, St. Helens, Merseyside. WA9 5GL

www.vinyline.co.uk